

# DATA SHEET

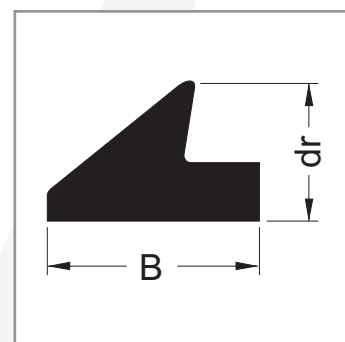
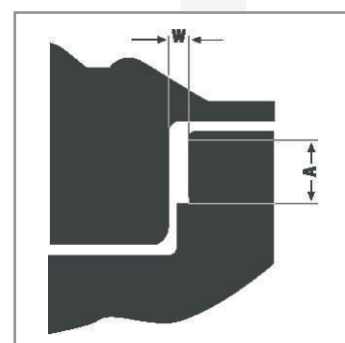
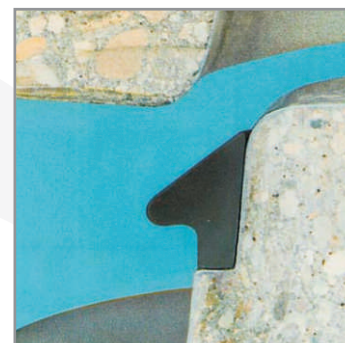
## MKG SEAL

The MKG Seal (DIN 4060) is available in various profiles.

The seals MKG 30, MKG 40 and MKG 60 are compression seals with a dense structure and are used for concrete pipes or concrete chambers according to DIN V 4030, Part 1 / EN 1917.

We suggest that Mücher lubricant is used for the installation of all MKG Seals.

The MKG Seal seal is available in several heights. The relation between the height of the profile and the contact surface always remains the same.



MÜCHER MKG SEAL				
Height of Profile (mm)	Contact Surface (A)		Socket Gap (W)	
	MKG 30	MKG 60	Min. (mm)	Max. (mm)
12	22		5.6	8.4
14	26		6.5	9.8
16	30	25	7.5	11.2
18	33		8.4	12.6
20	37	35	9.3	14.0
22	41		10.3	15.4
24	44		11.2	16.8
26	48		12.1	18.2
28	52		13.1	19.6
30	55		14.0	21.0
32	59		19.9	22.4

MÜCHER MKG SEAL			
Height of Profile (mm)	Contact Surface (A) MKG 40	Socket Gap (W)	
		Min. (mm)	Max. (mm)
12	20	5.6	8.4
14	24	6.5	9.8
16	27	7.5	11.2
18	30	8.4	12.6
19	31	8.9	13.3
20	32	9.3	14.0
21	36	9.8	14.7
22	38	10.3	15.4
24	42	11.2	16.8
25	44	11.7	17.5
26	45	12.1	18.2
27	46	12.6	18.9
28	52	13.1	19.6
30	52	14.0	21.0
32	56	19.9	22.4

