

RZ-RING

The RZ-Ring is manufactured from cellular rubber. It is used to connect thin walled plain ended pipes to clay or concrete sockets without seal.

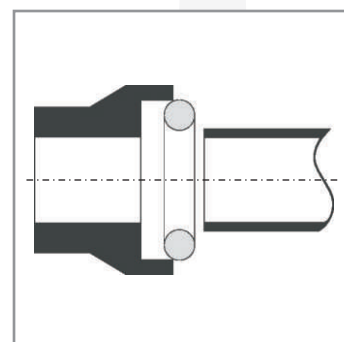
Every RZ-Ring is individually produced to the customer's requirements, to provide the right compression for effective sealing.

Beside the standard RZ-Rings to be used for cut clay pipes to clay pipe sockets without seal,

thicknesses from 10 mm – 40 mm are available

to chose from.

The rubber conforms to DIN EN 681-3.



MÜCHER STANDARD RZ-RING for clay pipe cut end to clay pipe socket (without seal)

Clay Pipe DN	Thickness	QTY per Box
100	18	140
100	20	120
125	20	100
125	22	120
150	22	100
150	24	80
200	24	70
200	26	60
250	26	50
250	28	40
300	28	30
300	30	30

